

PRODUCT

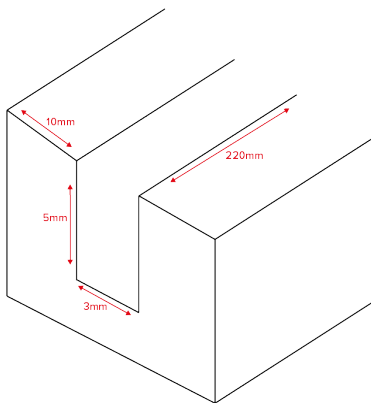
Conductive PCB Circulation Rack



FEATURES

- Molded from conductive polypropylene with a metal (aluminum) frame for extra rigidity and handles for convenience
- Surface resistance $10^3 - 10^5$ Ohms
- Conforms to IEC 61340-5-1
- Ideal for the transportation or storage of up to 38 PCB's

STORAGE DIMENSIONS



PRODUCT CODE	DESCRIPTION	OVERALL SIZE (in)	NOTES
025-0026	Conductive PCB Circulation Rack	18.1 x 11 x 6.3	38 Slots

To request a quotation or for more information, please call **+1 512-580-4220**
email sales@antistat.com or visit www.antistat.com

IMPORTANT: This data sheet and its contents (the "Information") belong to Antistat or are licensed to it. No licence is granted for the use of it other than for information purposes in connection with the products to which it relates. No licence of any intellectual property rights is granted. The Information is subject to change without notice and replaces all data sheets previously supplied. The Information supplied is believed to be accurate but Antistat assumes no responsibility for its accuracy or completeness, any error in or omission from it or for any use made of it. Users of this data sheet should check for themselves the Information and the suitability of the products for their purpose and not make any assumptions based on information included or omitted. Liability for loss or damage resulting from any reliance on the Information or use of it (including liability resulting from negligence or where Antistat was aware of the possibility of such loss or damage arising) is excluded. © 2021 Antistat.